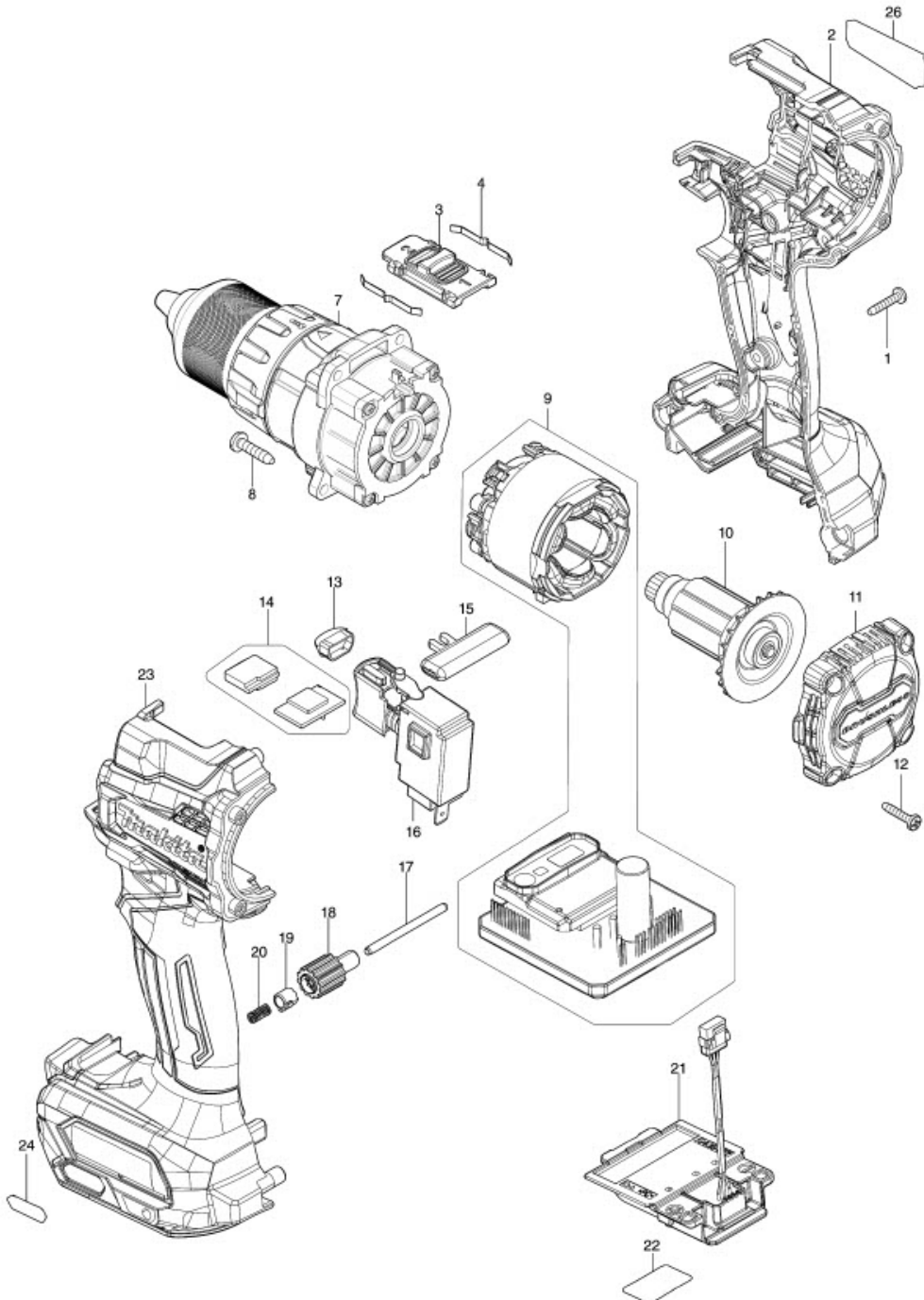


Part Diagram

Model No.DF001G CORDLESS DRIVER DRILL



Item	Sub	Parts No.	Parts Description	Qty
1		266130-9	TAPPING SCREW BIND PT 3X16	7
2		183N73-3	HOUSING SET	1
2	C10	263005-3	RUBBER PIN 6	2
2	C20	252126-6	HEX. LOCK NUT M4-7	2
2	C30	422569-8	SPONGE SHEET	2
2	D10		INC. 23	
002-1		183S37-7	HOUSING SET	1
002-1	C10	263005-3	RUBBER PIN 6	2
002-1	C20	252126-6	HEX. LOCK NUT M4-7	2
002-1	C30	422569-8	SPONGE SHEET	2
002-1	D10		INC. 23	
3		127494-5	SPEED CHANGE LEVER ASSEMBLY	1
3	C10	233438-6	COMPRESSION SPRING 4	2
4		232220-0	LEAF SPRING	2
7		136232-4	KEYLESS DRILL CHUCK ASS'Y	1
007-1		136360-5	KEYLESS DRILL CHUCK ASS'Y	1
007-1	C10	763252-1	KEYLESS DRILL CHUCK 13	1
007-1	C20	127728-6	GEAR ASSEMBLY	1
007-1	C30	251468-5	- FLAT HEAD SCREW M6X22	1
8		266326-2	TAPPING SCREW 4X18	4
9		629476-8	STATOR COMPLETE	1
9	C10	8009H0-8	SWITCH LABEL	1
10		619613-2	ROTOR	1
11		412361-0	REAR COVER	1
12		266130-9	TAPPING SCREW BIND PT 3X16	4
13		620549-0	LED CIRCUIT	1
14		620C81-2	SENSOR CIRCUIT	1
15		419041-9	F/R CHANGE LEVER	1
16		651443-5	SWITCH C3JR-4B	1
17		256949-4	ROD 3	1
18		140R76-4	DIAL COMPLETE	1
19		313288-6	DIAL CAM	1
20		232597-3	COMPRESSION SPRING 3	1
21		632P49-4	TERMINAL UNIT	1
22		856T20-0	DF001G SERIAL NO. LABEL	1
23		183N73-3	HOUSING SET	1
23	C10	263005-3	RUBBER PIN 6	2
23	C20	252126-6	HEX. LOCK NUT M4-7	2
23	C30	422569-8	SPONGE SHEET	2
23	D10		INC. 2	
023-1		183S37-7	HOUSING SET	1
023-1	C10	263005-3	RUBBER PIN 6	2
023-1	C20	252126-6	HEX. LOCK NUT M4-7	2
023-1	C30	422569-8	SPONGE SHEET	2
023-1	D10		INC. 2	
24		8007R2-2	XGT LOGO LABEL	1
26		856T13-7	DF001G NAME PLATE	1
A01		127552-7	GRIP ASSEMBLY	1
A01	C10	140S65-5	ARM R COMPLETE	1
A01	C20	140S66-3	POLE COMPLETE	1
A01	C30	266886-4	HEX. BOLT M8X65	1
A01	C40	319966-6	ARM L	1
A01	C50	962055-2	RETAINING RING (INT) R-15	1
A02		251314-2	+ SCREW M4X12	2
A03		346317-0	HOOK	
A04		784637-8	+ BIT 2-45	
A05		452947-8	BIT HOLDER	
A06B		412393-7	BATTERY COVER	1

Item	Sub	Parts No.	Parts Description	Qty
A07B		***DC40RA	DC40RA FAST CHARGER	1
A07B	D10		COMPO-PARTS	
A08B		191B43-6	BATTERY BL4025 SET	2
A08-1B		191B36-3	BATTERY BL4025 SET	2
A09B		821551-8	CONNECTOR PLASTIC CASE (TYPE3)	1
A09B	C10	453974-8	LATCH	4
A10B		835F93-2	INNER TRAY	1
A11B		8010K6-6	DF001GD201 INDICATION LABEL	1
A12B		8010K7-4	DF001GD201 PLASTIC CASE LABEL	2